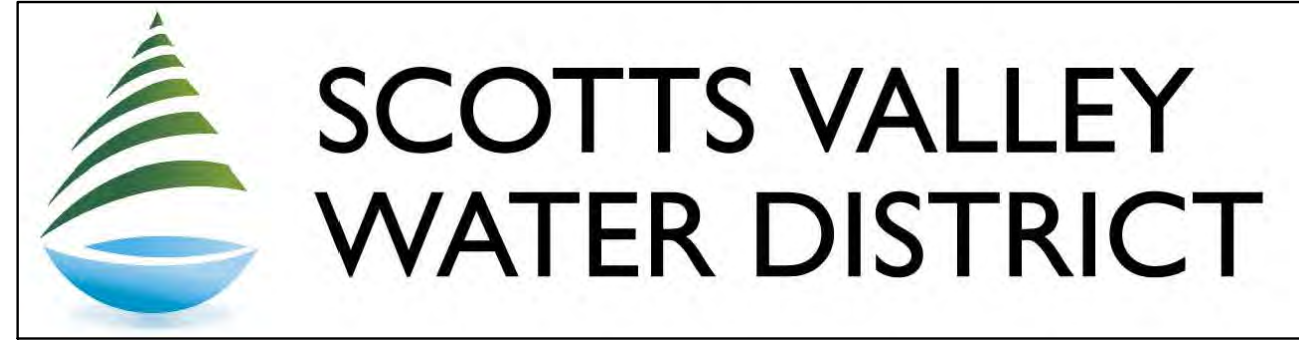


BELAIR COURT WATER MAIN IMPROVEMENTS



INDEX OF SHEETS

- C0.1 - COVER
- C1.1 - EXISTING SITE - DEMOLITION PLAN
- C2.1 - SITE IMPROVEMENTS AND UTILITY PLAN
- C3.1 - DETAILS
- C3.2 - DETAILS

SCOTT'S VALLEY WATER DISTRICT:

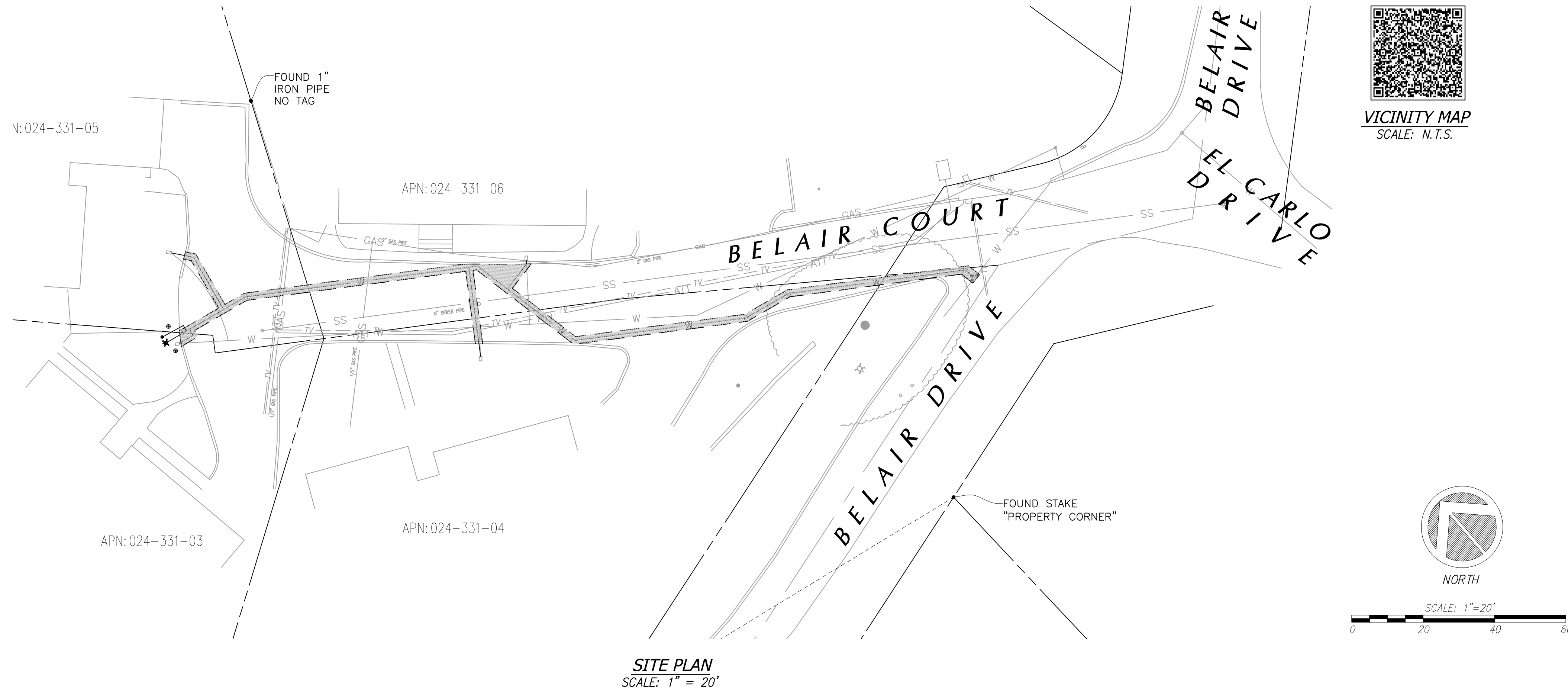
2 CIVIC CENTER DRIVE
SCOTT'S VALLEY, CA 95066
OFFICE: 831.438.2363

CIVIL ENGINEER:

C2G/CIVIL CONSULTANTS GROUP, INC.
4444 SCOTT'S VALLEY DRIVE, STE. 6
SCOTT'S VALLEY, CA 95066
OFFICE: 831.438.4420

SURVEYOR:

ALPHA SURVEY
4444 SCOTT'S VALLEY DRIVE, STE. 6
SCOTT'S VALLEY, CA 95066
OFFICE: 831.438.4453



CONTRACTOR RESPONSIBILITY

CONTRACTOR AGREES THAT HE SHOULD ASSUME SOLE AND COMPLETE RESPONSIBILITY FOR JOB SITE CONDITIONS, INCLUDING THE SAFETY OF ALL PERSONS AND PROPERTY, DURING THE COURSE OF CONSTRUCTION OF THIS PROJECT, AND THAT REQUIREMENT SHALL APPLY CONTINUOUSLY AND NOT BE LIMITED DURING WORKING HOURS. THE CONTRACTOR SHALL DEFEND, INDEMNIFY AND HOLD THE OWNER AND THE DESIGN PROFESSIONALS HARMLESS FROM ANY AND ALL LIABILITY, REAL OR ALLEGED, IN CONNECTION WITH THE PERFORMANCE OF WORK ON THIS PROJECT, EXCEPTING FOR LIABILITY ARISING FROM THE SOLE NEGLIGENCE OF THE OWNER OR DESIGN PROFESSIONAL.

DISCREPANCIES

IF THERE ARE ANY DISCREPANCIES BETWEEN THE CONSTRUCTION DOCUMENTS AND EXISTING CONDITIONS WHICH WILL AFFECT THE WORK, THE CONTRACTOR SHALL BRING SUCH DISCREPANCIES TO THE DESIGN PROFESSIONAL FOR ADJUSTMENT BEFORE PROCEEDING WITH THE WORK. THE CONTRACTOR SHALL BE RESPONSIBLE FOR THE PROPER FITTING OF ALL WORK AND FOR THE COORDINATION OF ALL TRADES, SUBCONTRACTORS, AND PERSONS ENGAGED UPON THIS CONTRACT.

EROSION CONTROL NOTE

1. IT IS THE CONTRACTOR'S RESPONSIBILITY TO PROVIDE AND MAINTAIN EROSION CONTROL MEASURES AS REQUIRED THROUGHOUT THE LIFE OF THE PROJECT IN CONFORMANCE WITH THE CITY OF SCOTT'S VALLEY AND THE ASSOCIATION OF BAY AREA GOVERNMENTS
2. CONTRACTOR TO PROVIDE BACK-UP EROSION PREVENTION MEASURES (SOIL STABILIZATION) WITH SEDIMENT CONTROL MEASURES SUCH AS STRAW WATTLES, SILT FENCE, GRAVEL INLET FILTERS, AND/OR SEDIMENT TRAPS OR BASINS. ENSURE CONTROL MEASURES ARE ADEQUATE, IN PLACE, AND IN OPERABLE CONDITIONS. SEDIMENT CONTROLS, INCLUDING INLET PROTECTION, ARE NECESSARY BUT SHOULD BE A SECONDARY DEFENSE BEHIND GOOD EROSION CONTROL MEASURES.
3. ALL EROSION PREVENTION AND SEDIMENT CONTROL MEASURES SHALL BE MAINTAINED AND REPAIRED THROUGHOUT THE SEASON. REPLACEMENT SUPPLIES SHOULD BE KEPT ON SITE.
4. SITE INSPECTIONS SHALL BE CONDUCTED BEFORE AND AFTER EACH STORM EVENT, AND EVERY 24 HOURS FOR EXTENDED STORM EVENTS, TO IDENTIFY AREAS THAT CONTRIBUTE TO EROSION AND SEDIMENT PROBLEMS OR ANY OTHER POLLUTANT DISCHARGES. IF ADDITIONAL MEASURES ARE NEEDED, REVISE THE EROSION CONTROL PLAN AND IMPLEMENT THE MEASURES IMMEDIATELY. DOCUMENT ALL INSPECTION FINDINGS AND ACTIONS TAKEN.
5. CONTRACTOR SHALL USE BEST MANAGEMENT PRACTICES DURING CONSTRUCTION FOR CONTROL OF STORM WATER RUNOFF (E.G. GRAVEL BAGS AT CATCH BASIN INLETS).

UNDERGROUND NOTES

1. SANITARY SEWER TRENCH BACKFILL SHALL CONFORM TO CITY OF SCOTT'S VALLEY SEWER PIPE TRENCH DETAIL.
2. JETTING OF BACKFILL MATERIALS TO ACHIEVE COMPACTION IS NOT ALLOWED.
3. ALL THE WATER PIPING SHALL BE AWWA CLASS 200 DR14 305 PSI OR EQUIVALENT ALL VALVES, ANGLES, AND THRUST BLOCKS SHALL BE INSTALLED PER CURRENT CPC SPECIFICATIONS.
4. ALL FIRE SERVICE PIPING AND APPURTENANCES SHALL CONFORM TO NFPA STANDARDS AND SPECIFICATIONS
5. ANY EXISTING UTILITIES THAT ARE REQUIRED TO BE RELOCATED AS A PART OF THIS CONSTRUCTION SHALL BE RELOCATED AT THE DEVELOPER'S EXPENSE.

UNAUTHORIZED CHANGES AND USES

CAUTION: THE ENGINEER PREPARING THESE PLANS WILL NOT BE RESPONSIBLE FOR, OR LIABLE FOR, UNAUTHORIZED CHANGES TO OR USES OF THESE PLANS. ALL CHANGES TO THE PLANS MUST BE IN WRITING AND MUST BE APPROVED BY THE PREPARER OF THE PLANS

THE WITHIN PLANS ARE COPYRIGHTED AS AN UNPUBLISHED WORK BY C2G/CIVIL CONSULTANTS GROUP, INC. ALL IDEAS, DESIGNS, ARRANGEMENTS AND PLANS INDICATED OR REPRESENTED BY THESE DRAWINGS ARE OWNED BY, AND THE PROPERTY OF C2G/CIVIL CONSULTANTS GROUP, INC. AND WERE CREATED, EVOLVED AND DEVELOPED FOR USE ON, AND IN CONNECTION WITH, THE SPECIFIED PROJECT. NONE OF SUCH IDEAS, DESIGNS, ARRANGEMENTS OR PLANS SHALL BE USED BY OR DISCLOSED TO ANY PERSON, FIRM OR CORPORATION FOR ANY PURPOSE WHATSOEVER WITHOUT THE WRITTEN PERMISSION OF C2G/CIVIL CONSULTANTS GROUP, INC. ©2023 TODD R. CREAMER, D.B.A. AS C2G/CIVIL CONSULTANTS GROUP, INC.

NOTES

CONTRACTOR SHALL VERIFY ALL UTILITY LOCATIONS. CALL USA (800) 227-2600. CONTRACTOR TO NOTIFY ENGINEER OF ANY APPARENT CONFLICTS FOR RESOLUTION PRIOR TO START OF CONSTRUCTION.

GENERAL NOTES

1. NO CHANGE TO THE PLANS SHALL BE PERMITTED WITHOUT PRIOR WRITTEN APPROVAL BY THE OWNER OR OWNERS REPRESENTATIVES AND SCOTT'S VALLEY WATER DISTRICT.
2. CONTRACTOR SHALL VERIFY LOCATIONS, ELEVATIONS AND INVERTS OF EXISTING UTILITY PRIOR TO COMMENCEMENT OF WORK AND SHALL NOTIFY OWNER OR OWNERS REPRESENTATIVES OF VARIANCE FROM THOSE SHOWN ON THE PLANS.
3. UNDERGROUND FACILITIES AND UTILITIES HAVE BEEN SHOWN BASED ON RECORD DRAWINGS AND VISIBLE EVIDENCE FOUND IN FIELD. NO WARRANTY IS MADE REGARDING THE COMPLETENESS OR ACCURACY OF SUCH INFORMATION. PRIOR TO CONSTRUCTION, DETERMINE THE EXACT LOCATION OF UNDERGROUND FACILITIES AND UTILITIES, AND PRESERVE SAME FROM DAMAGE. PRIOR TO CONSTRUCTION, VERIFY LOCATION AND ELEVATION OF EXISTING UNDERGROUND UTILITIES AT THE CROSSING POINTS WITH PROPOSED UTILITIES. THE CONTRACTOR SHALL NOTIFY THE OWNER OR OWNERS REPRESENTATIVES IF CONDITIONS DIFFER FROM THOSE SHOWN ON THE DRAWINGS AND SHALL NOT BEGIN CONSTRUCTION UNTIL THE CHANGED CONDITION HAS BEEN EVALUATED. CONTACT UNDERGROUND SERVICES ALERT (USA) (1-800-227-2600) TWO (2) WORKING DAYS PRIOR TO DIGGING. REPAIR UNDERGROUND UTILITIES DAMAGED BY CONSTRUCTION OPERATIONS. CONTRACTOR SHALL BE RESPONSIBLE FOR ANY AND ALL DAMAGES ASSOCIATED WITH CONTRACTOR'S FAILURE TO EXACTLY LOCATED AND PRESERVE UNDERGROUND FACILITIES AND UTILITIES.
4. CONTRACTOR SHALL BE RESPONSIBLE FOR ALL COORDINATION WITH THE APPROPRIATE UTILITY COMPANIES AND/OR AGENCIES TO VERIFY THE EXISTENCE AND/OR LOCATION OF ALL UNDERGROUND UTILITIES PRIOR TO COMMENCEMENT OF WORK. AND SHALL NOTIFY U.S.A. @ (800) 227-2600 AT LEAST 48-HOURS IN ADVANCE OF EXCAVATION.
5. IF ANY INDICATIONS OF ARCHEOLOGICAL REMAINS ARE ENCOUNTERED DURING GRADING ACTIVITIES FOR ANY DEVELOPMENT WITHIN THE PROJECT SITE, ALL WORK SHALL BE HALTED WITHIN 200 FOOT RADIUS OF THE FIND. OWNER SHALL RETAIN A QUALIFIED ARCHEOLOGIST RETAINED TO DETERMINE THE NATURE OF THE DISCOVERY AND RECOMMEND APPROPRIATE EVALUATION PROCEDURES.

CONSTRUCTION SURVEYING / STAKING

CONTRACTOR IS RESPONSIBLE TO PROVIDE ALL SURVEYING AND OR STAKING BY A LICENSED SURVEYOR FOR ALL CONSTRUCTION PURPOSES.



REVISIONS	BY

COVER

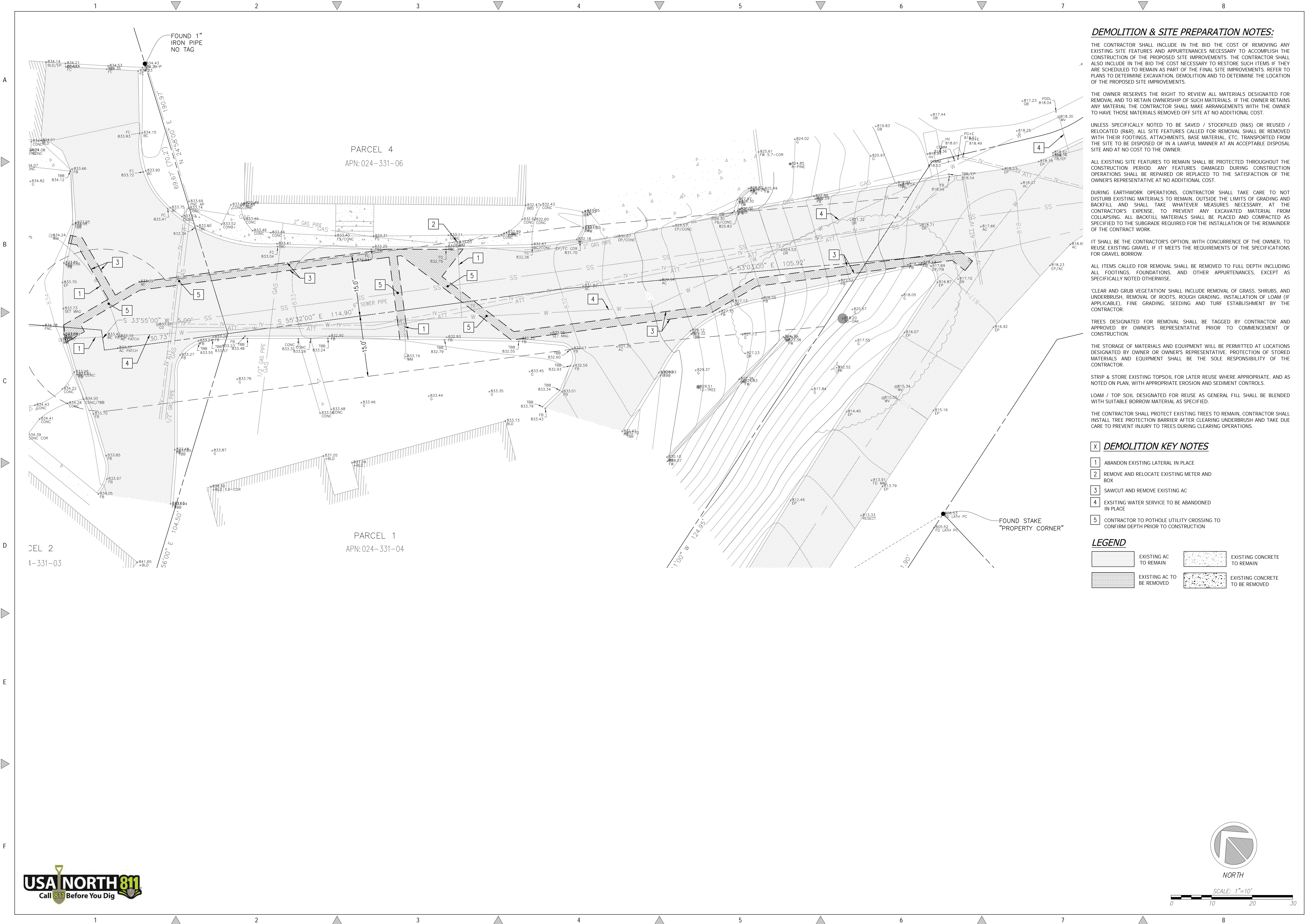


C2G / CIVIL CONSULTANTS GROUP, INC.
 Engineers/Planners
 4444 Scott's Valley Drive / Suite 6
 Scott's Valley, CA 95066
 831.438.4420

SCOTT'S VALLEY WATER DISTRICT
 BELAIR COURT
 WATER MAIN IMPROVEMENTS

Date:	09.29.2023
Scale:	1" = 20'
Drawn:	JB/IH/TC
Job:	165.95
Sheet:	C0.1
	Of 3 Sheets

Drawing: Z:\Drawings\2023\165-95 - 2023 watermain improvements\Design\DWG\Sheet\Belair\01 - C01.dwg
 Layout: 011 - COVER
 User: jbarney Tue Oct 03, 2023 9:22am
 Last Plotfile: Wed Oct 04, 2023 9:25am
 By: jbarney



DEMOLITION & SITE PREPARATION NOTES:

THE CONTRACTOR SHALL INCLUDE IN THE BID THE COST OF REMOVING ANY EXISTING SITE FEATURES AND APPURTENANCES NECESSARY TO ACCOMPLISH THE CONSTRUCTION OF THE PROPOSED SITE IMPROVEMENTS. THE CONTRACTOR SHALL ALSO INCLUDE IN THE BID THE COST NECESSARY TO RESTORE SUCH ITEMS IF THEY ARE SCHEDULED TO REMAIN AS PART OF THE FINAL SITE IMPROVEMENTS. REFER TO PLANS TO DETERMINE EXCAVATION, DEMOLITION AND TO DETERMINE THE LOCATION OF THE PROPOSED SITE IMPROVEMENTS.

THE OWNER RESERVES THE RIGHT TO REVIEW ALL MATERIALS DESIGNATED FOR REMOVAL AND TO RETAIN OWNERSHIP OF SUCH MATERIALS. IF THE OWNER RETAINS ANY MATERIAL THE CONTRACTOR SHALL MAKE ARRANGEMENTS WITH THE OWNER TO HAVE THOSE MATERIALS REMOVED OFF SITE AT NO ADDITIONAL COST.

UNLESS SPECIFICALLY NOTED TO BE SAVED / STOCKPILED (R&S) OR REUSED / RELOCATED (R&R), ALL SITE FEATURES CALLED FOR REMOVAL SHALL BE REMOVED WITH THEIR FOOTINGS, ATTACHMENTS, BASE MATERIAL, ETC. TRANSPORTED FROM THE SITE TO BE DISPOSED OF IN A LAWFUL MANNER AT AN ACCEPTABLE DISPOSAL SITE AND AT NO COST TO THE OWNER.

ALL EXISTING SITE FEATURES TO REMAIN SHALL BE PROTECTED THROUGHOUT THE CONSTRUCTION PERIOD. ANY FEATURES DAMAGED DURING CONSTRUCTION OPERATIONS SHALL BE REPAIRED OR REPLACED TO THE SATISFACTION OF THE OWNER'S REPRESENTATIVE AT NO ADDITIONAL COST.

DURING EARTHWORK OPERATIONS, CONTRACTOR SHALL TAKE CARE TO NOT DISTURB EXISTING MATERIALS TO REMAIN, OUTSIDE THE LIMITS OF GRADING AND BACKFILL AND SHALL TAKE WHATEVER MEASURES NECESSARY AT THE CONTRACTOR'S EXPENSE TO PREVENT ANY EXCAVATED MATERIAL FROM COLLAPSING. ALL BACKFILL MATERIALS SHALL BE PLACED AND COMPACTED AS SPECIFIED TO THE SUBGRADE REQUIRED FOR THE INSTALLATION OF THE REMAINDER OF THE CONTRACT WORK.

IT SHALL BE THE CONTRACTOR'S OPTION, WITH CONCURRENCE OF THE OWNER, TO REUSE EXISTING GRAVEL IF IT MEETS THE REQUIREMENTS OF THE SPECIFICATIONS FOR GRAVEL BORROW.

ALL ITEMS CALLED FOR REMOVAL SHALL BE REMOVED TO FULL DEPTH INCLUDING ALL FOOTINGS, FOUNDATIONS, AND OTHER APPURTENANCES, EXCEPT AS SPECIFICALLY NOTED OTHERWISE.

"CLEAR AND GRUB VEGETATION" SHALL INCLUDE REMOVAL OF GRASS, SHRUBS, AND UNDERBRUSH. REMOVAL OF ROOTS, ROUGH GRADING, INSTALLATION OF LOAM (IF APPLICABLE), FINE GRADING, SEEDING AND TURF ESTABLISHMENT BY THE CONTRACTOR.

TREES DESIGNATED FOR REMOVAL SHALL BE TAGGED BY CONTRACTOR AND APPROVED BY OWNER'S REPRESENTATIVE PRIOR TO COMMENCEMENT OF CONSTRUCTION.

THE STORAGE OF MATERIALS AND EQUIPMENT WILL BE PERMITTED AT LOCATIONS DESIGNATED BY OWNER OR OWNER'S REPRESENTATIVE. PROTECTION OF STORED MATERIALS AND EQUIPMENT SHALL BE THE SOLE RESPONSIBILITY OF THE CONTRACTOR.

STRIP & STORE EXISTING TOPSOIL FOR LATER REUSE WHERE APPROPRIATE, AND AS NOTED ON PLAN, WITH APPROPRIATE EROSION AND SEDIMENT CONTROLS.

LOAM / TOP SOIL DESIGNATED FOR REUSE AS GENERAL FILL SHALL BE BLENDED WITH SUITABLE BORROW MATERIAL AS SPECIFIED.

THE CONTRACTOR SHALL PROTECT EXISTING TREES TO REMAIN. CONTRACTOR SHALL INSTALL TREE PROTECTION BARRIER AFTER CLEARING UNDERBRUSH AND TAKE DUE CARE TO PREVENT INJURY TO TREES DURING CLEARING OPERATIONS.

[X] DEMOLITION KEY NOTES

- 1 ABANDON EXISTING LATERAL IN PLACE
- 2 REMOVE AND RELOCATE EXISTING METER AND BOX
- 3 SAWCUT AND REMOVE EXISTING AC
- 4 EXISTING WATER SERVICE TO BE ABANDONED IN PLACE
- 5 CONTRACTOR TO POT HOLE UTILITY CROSSING TO CONFIRM DEPTH PRIOR TO CONSTRUCTION

LEGEND

	EXISTING AC TO REMAIN		EXISTING CONCRETE TO REMAIN
	EXISTING AC TO BE REMOVED		EXISTING CONCRETE TO BE REMOVED

REVISIONS	BY

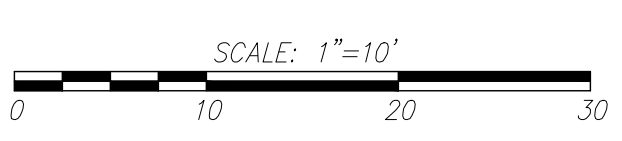
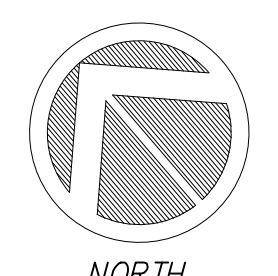
EXISTING SITE & DEMOLITION PLAN



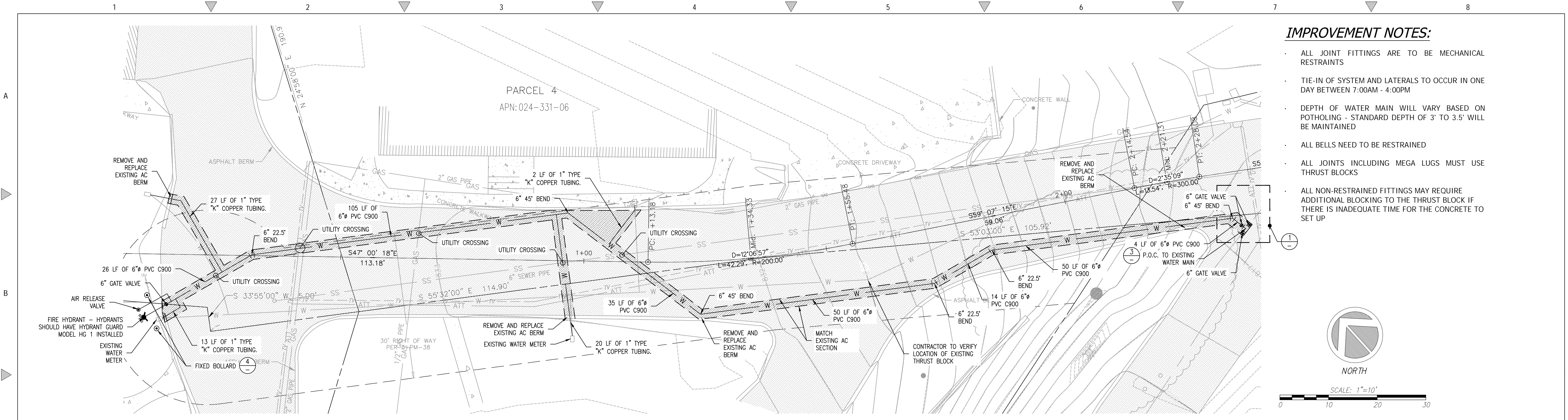
C2G / CIVIL CONSULTANTS GROUP, INC.
 Engineers/Planners
 4444 Scotts Valley Drive / Suite 6
 Scotts Valley, CA 95066
 831.438.4420

**SCOTS VALLEY WATER DISTRICT
 BELAIR COURT
 WATER MAIN IMPROVEMENTS**

Date:	09.29.2023
Scale:	
Drawn:	JB/IH/TC
Job:	165.95
Sheet:	
C1.1	
Of 3 Sheets	

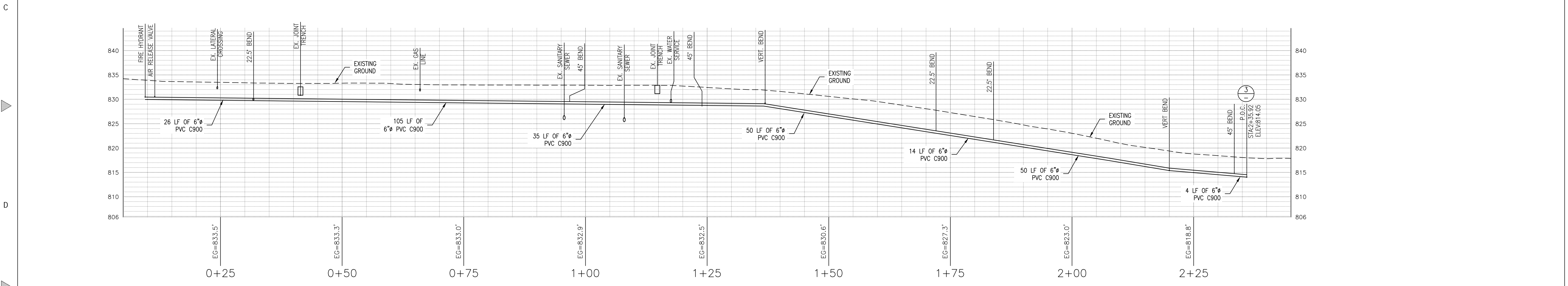


Drawn: Z. Barnes / CAD - 5/18/2023 [CAD] (652-85) - 2023 watermain improvements [Design] [CAD] (Shawn) [Sheet] [C1.1] - EX. SITE & DEMO
 Layout: C1.1 - EX. SITE & DEMO
 Last Printed: Wed Oct 04, 2023 - 9:26am
 By: jmeddaway



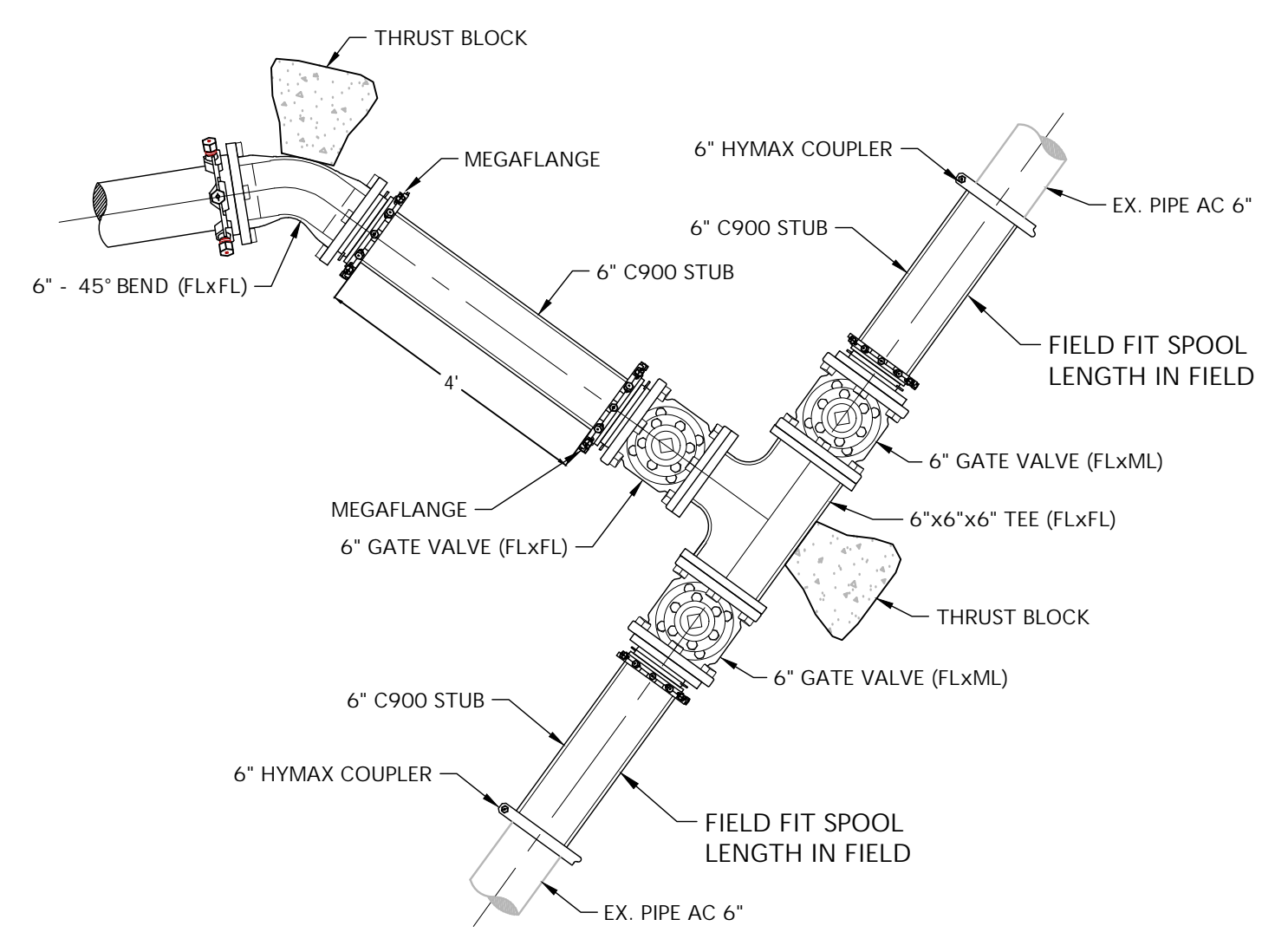
1 BELAIR COURT PLAN VIEW

Scale: 1:1



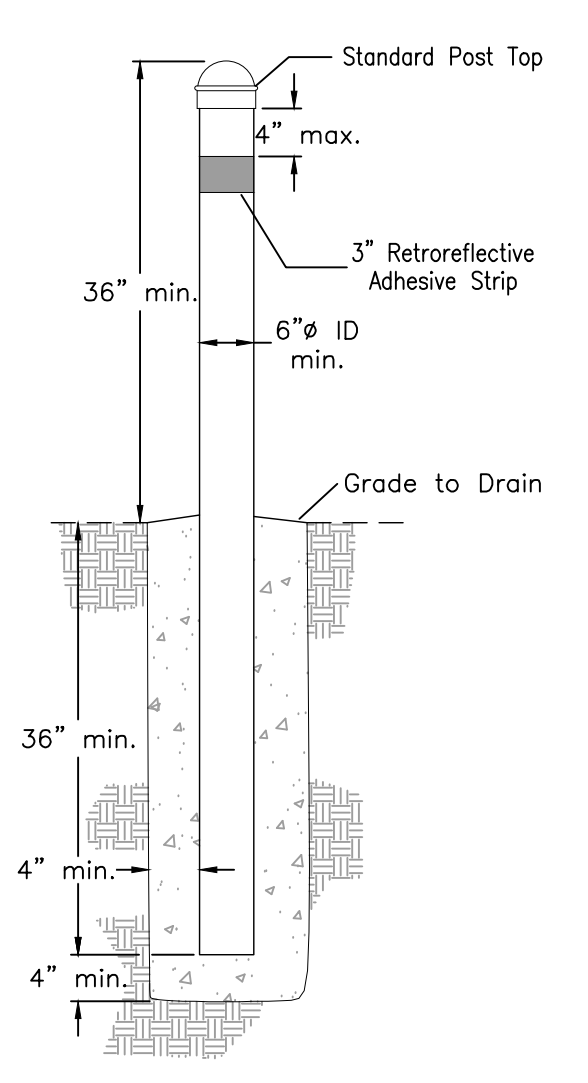
2 BELAIR COURT PROFILE VIEW

Scale: 1"=10'



3 P.O.C. TO MAIN

Scale: NTS



4 FIXED BOLLARD DETAIL

SCALE: NTS

- NOTES:
- BOLLARD SHALL BE FABRICATED FROM GALVANIZED IRON PIPE (GIP), SCH. 40 STEEL PIPE OR DUCTILE IRON PIPE;
 - BOLLARD SHALL BE A MINIMUM OF 6" INSIDE DIAMETER
 - BOLLARDS SHALL BE PROVIDED WITH A STANDARD, MALLEABLE IRON POST TOP;
 - BOLLARD SHALL BE SET A MINIMUM OF 36" INTO CONCRETE POST FOOTING;
 - BOLLARD SHALL BE FILLED WITH CONCRETE PRIOR TO INSTALLING POST CAP. REMOVABLE BOLLARDS SHALL NOT BE CONCRETE FILLED;
 - CONCRETE SHALL BE CLASSIFIED AS MINOR CONCRETE IN ACCORDANCE WITH SECTION 90-1.01, "DESCRIPTION" OF THE CALTRANS STANDARD SPECIFICATIONS.
 - BOLLARD SHALL BE PAINTED OSHA SAFETY YELLOW IN ACCORDANCE WITH WY'EST ENGINEERING STANDARD PLAN 2-01, "UTILITY MARKING SYSTEMS";
 - WHERE PROVIDED FOR IN THE CONTRACT DOCUMENTS, THE BOLLARD SHALL BE COATED WITH A REFLECTIVE COATING OTHERWISE CONFORMING WITH SAID STANDARD PLAN 2-01;
 - ALTERNATIVELY, WHERE PROVIDED FOR IN THE CONTRACT DOCUMENTS, A RETROREFLECTIVE STRIPE SHALL BE PLACED AROUND THE BOLLARD WITHIN 4-INCHES OF THE CAP OF THE COLOR PROVIDED FOR;

IMPROVEMENT NOTES:

- ALL JOINT FITTINGS ARE TO BE MECHANICAL RESTRAINTS
- TIE-IN OF SYSTEM AND LATERALS TO OCCUR IN ONE DAY BETWEEN 7:00AM - 4:00PM
- DEPTH OF WATER MAIN WILL VARY BASED ON POTHOLING - STANDARD DEPTH OF 3' TO 3.5' WILL BE MAINTAINED
- ALL BELLS NEED TO BE RESTRAINED
- ALL JOINTS INCLUDING MEGA LUGS MUST USE THRUST BLOCKS
- ALL NON-RESTRAINED FITTINGS MAY REQUIRE ADDITIONAL BLOCKING TO THE THRUST BLOCK IF THERE IS INADEQUATE TIME FOR THE CONCRETE TO SET UP

REVISIONS	BY

SITE IMPROVEMENT & UTILITY PLAN



C2G / CIVIL CONSULTANTS GROUP, INC.
 Engineers/Planners
 4444 Scotts Valley Drive / Suite 6
 Scotts Valley, CA 95066
 831.438.4420

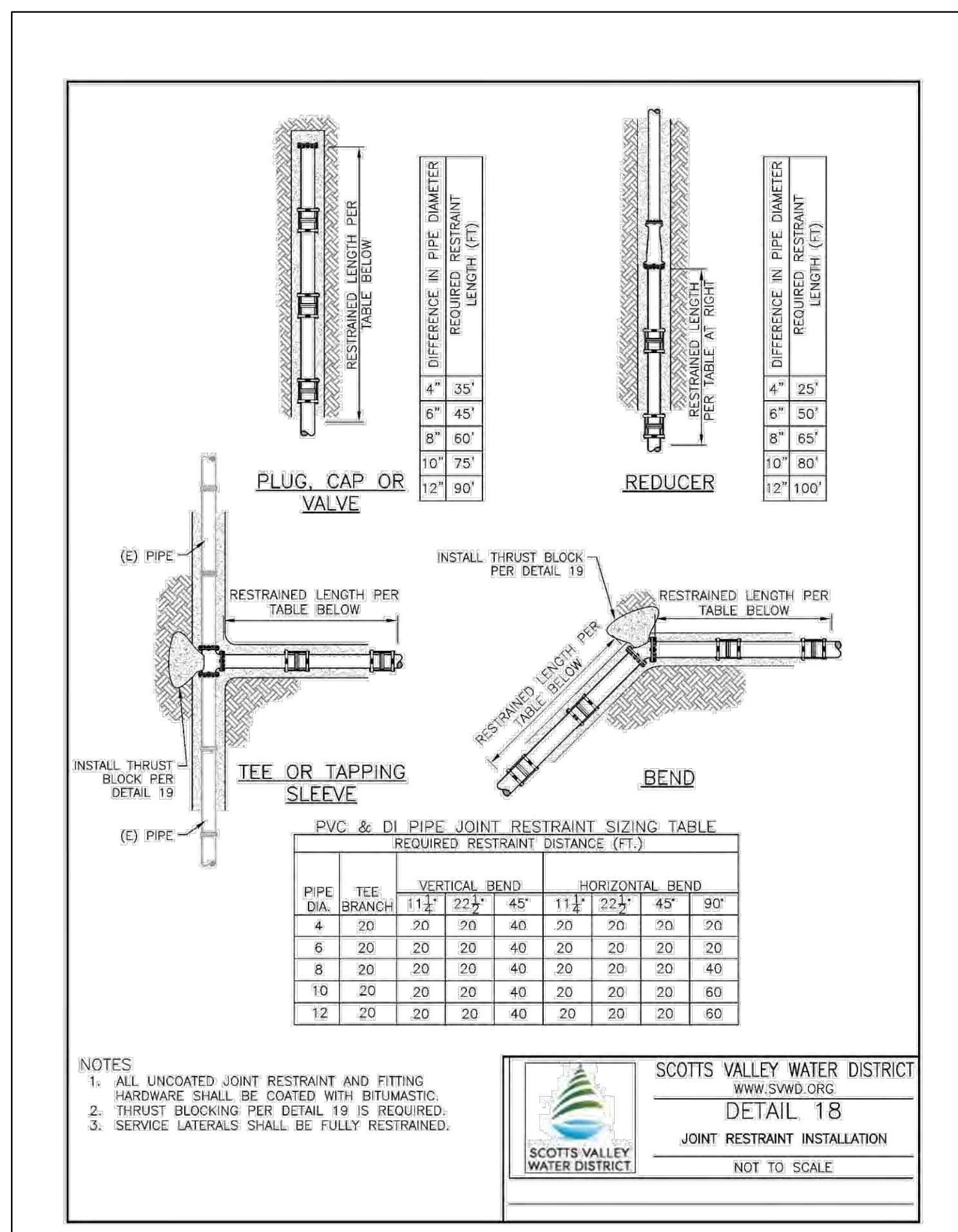
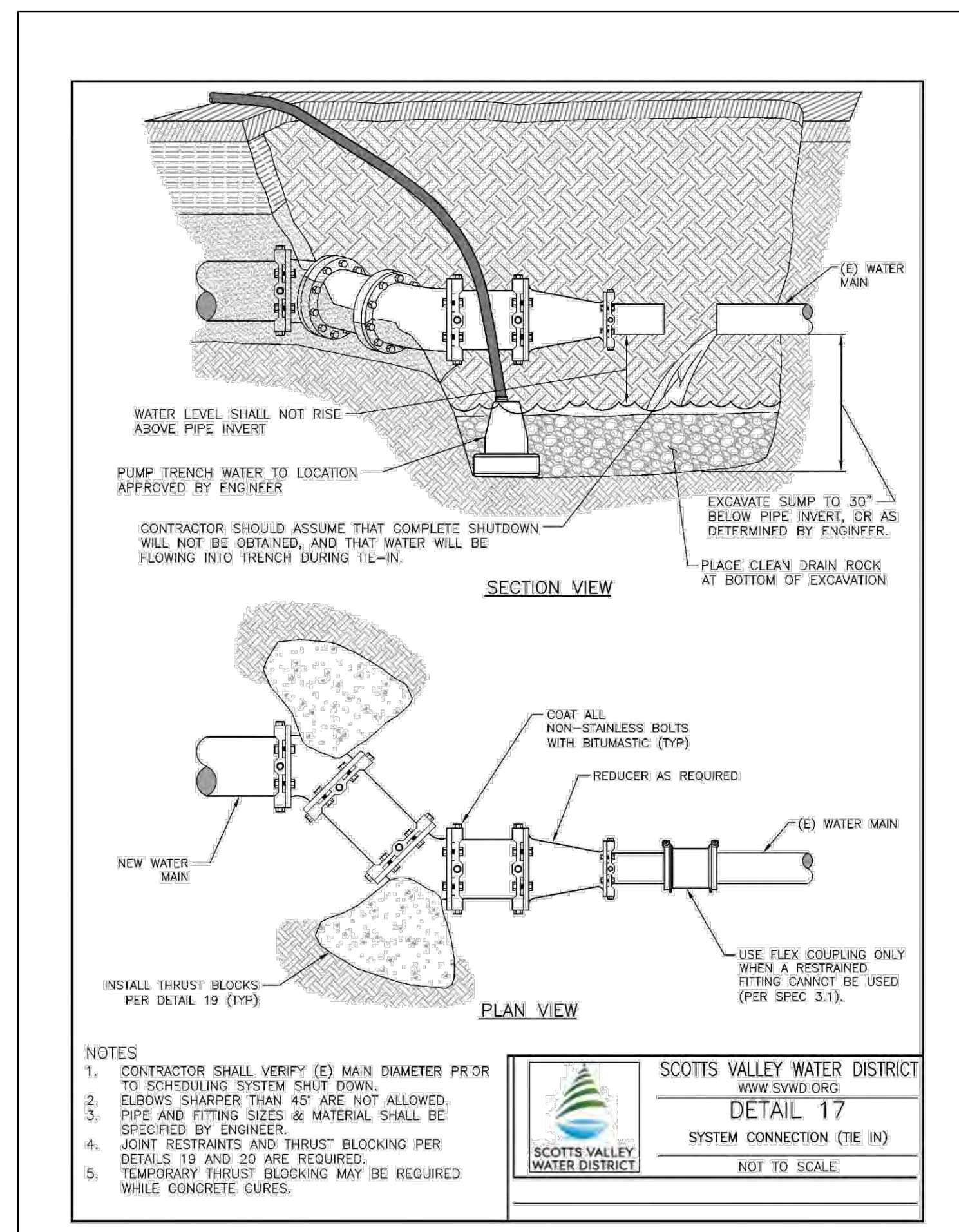
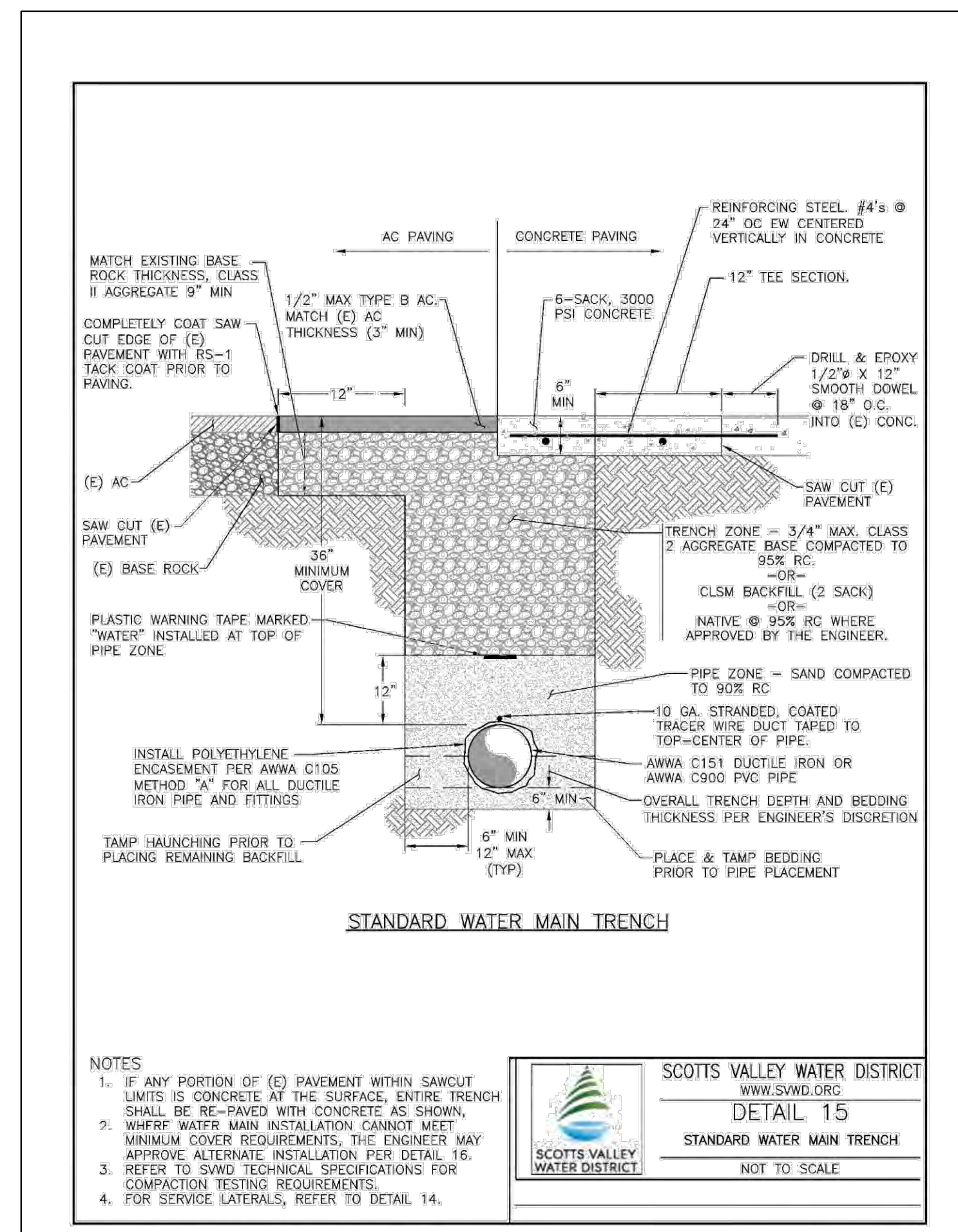
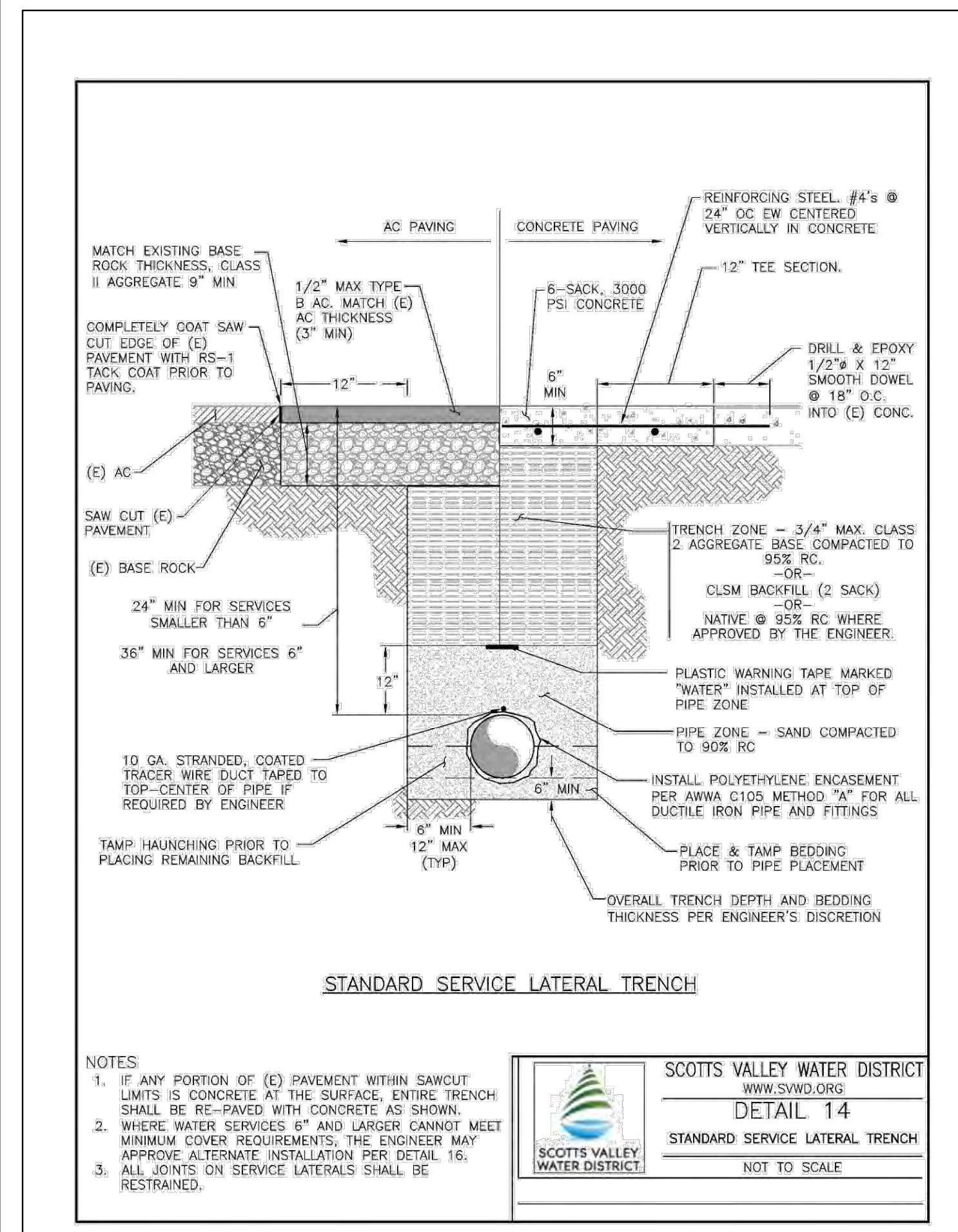
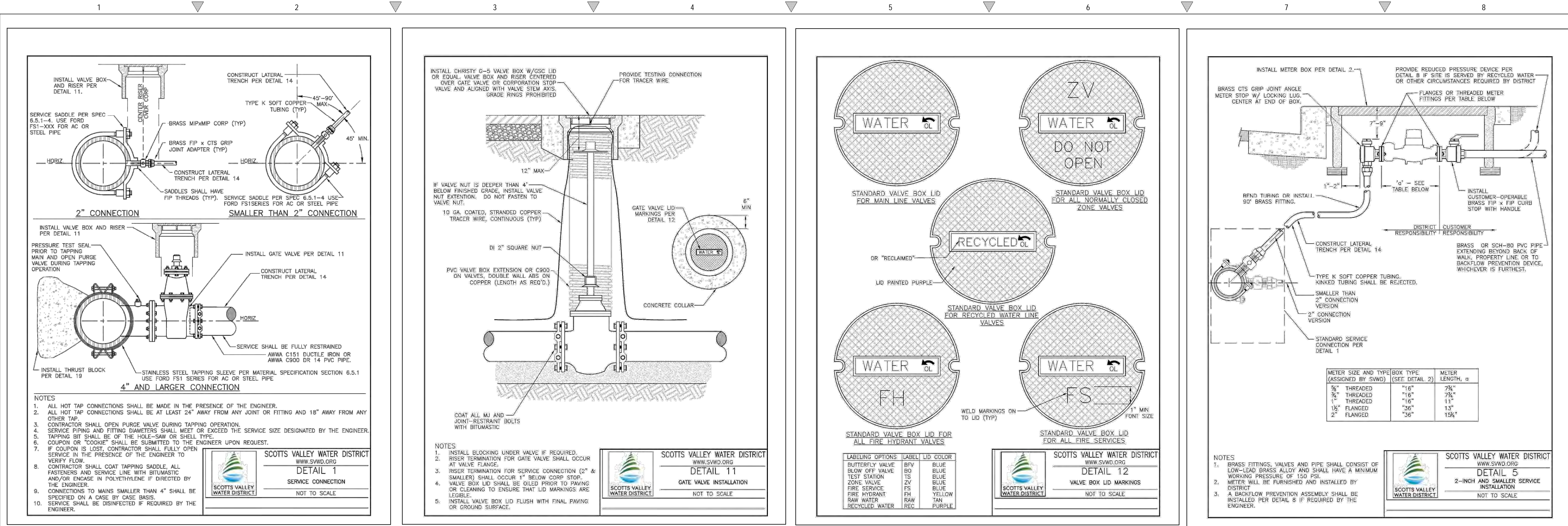
**SCOTS VALLEY WATER DISTRICT
 BELAIR COURT
 WATER MAIN IMPROVEMENTS**

Date: 09.29.2023
 Scale:
 Drawn: JB/IH/TC
 Job: 165.95
 Sheet:

C2.1
 Of 3 Sheets



Drawing: Z:\Drawings\2023\165-95 - 2023 Watermain Improvements\Design\DWG\Sheet\Belair\C2.1 - SITE IMPROVEMENT & UTILITY PLAN
 User: JTB
 Date: 09/29/2023 9:21am
 By: JTB



REVISIONS	BY

DETAILS

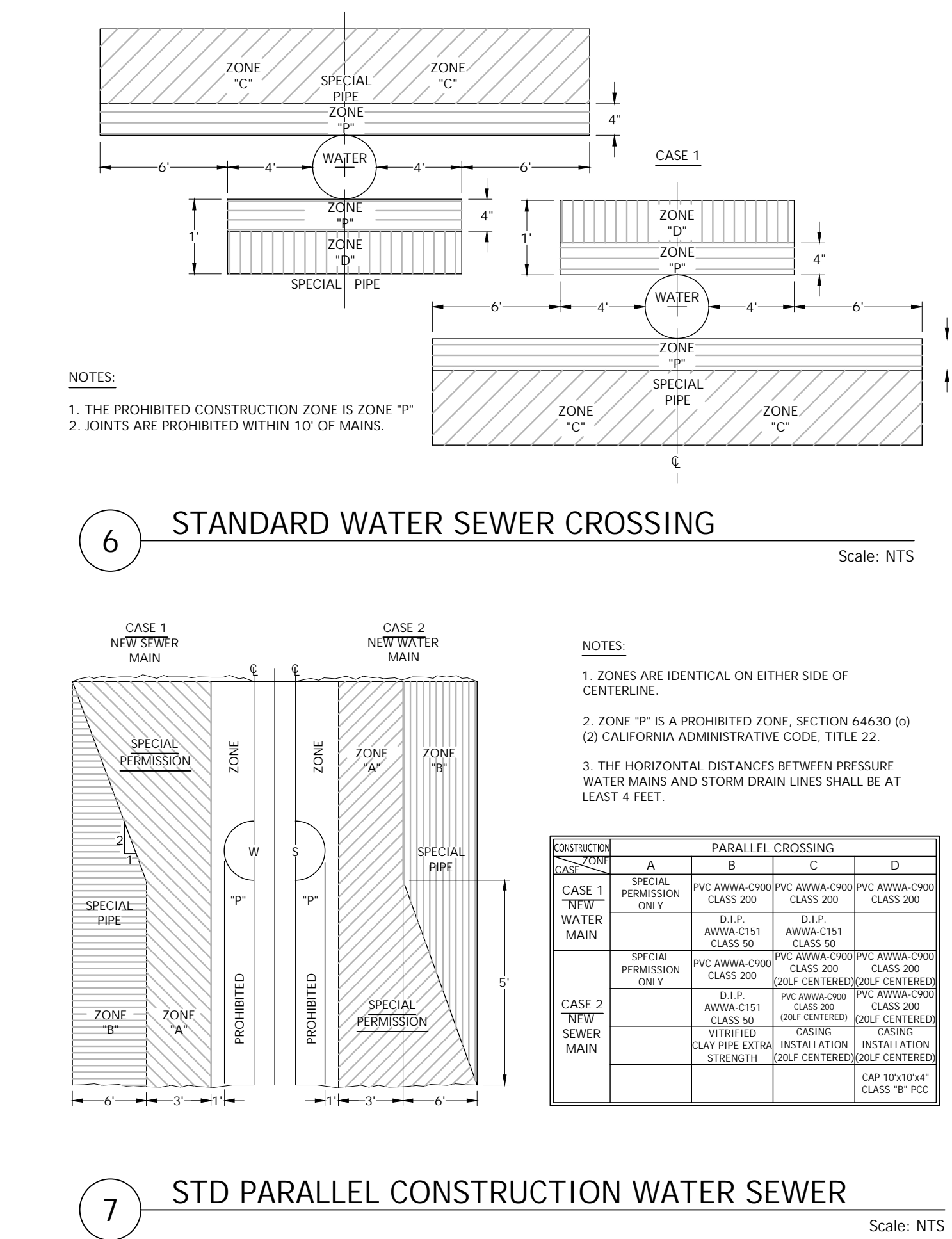
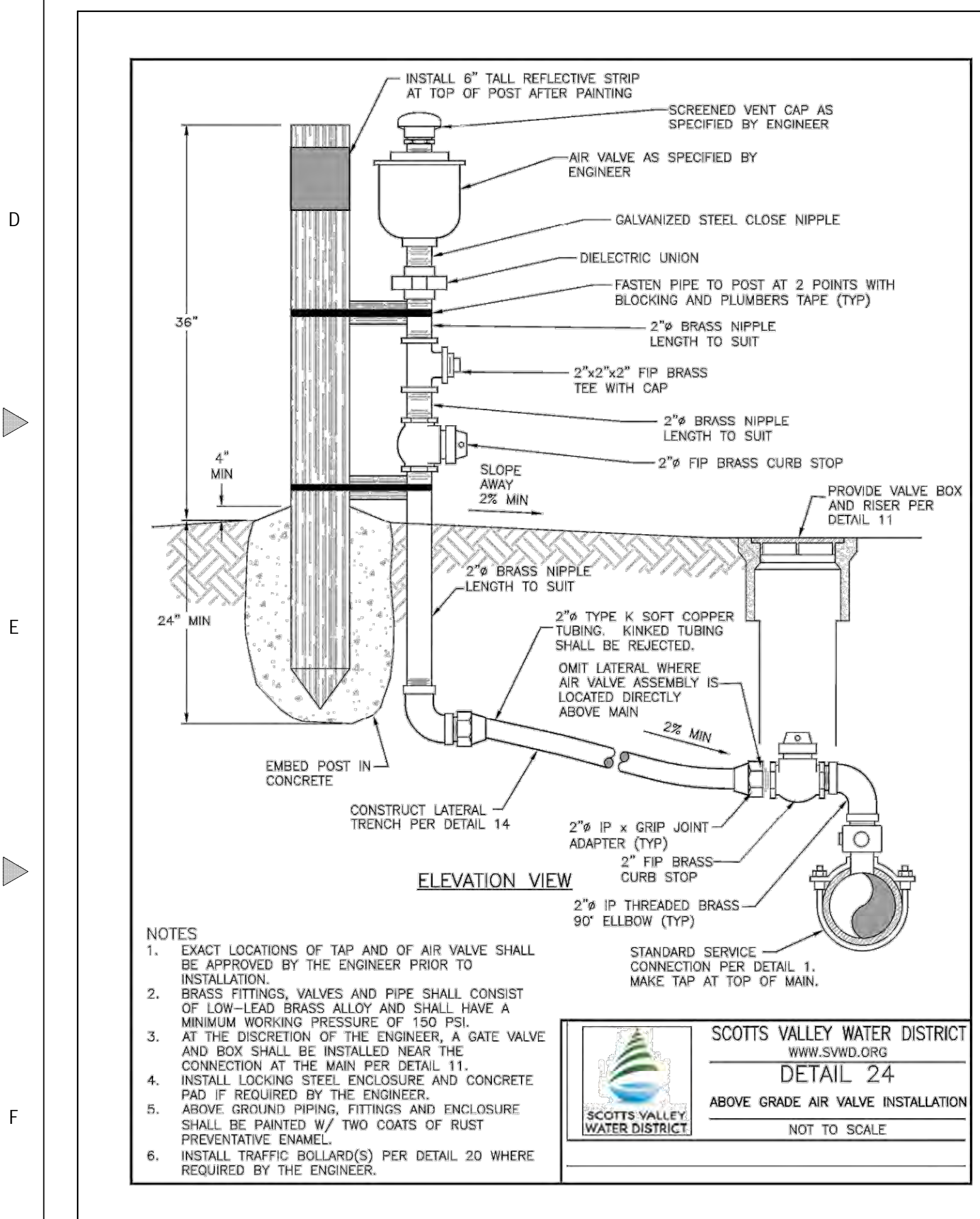
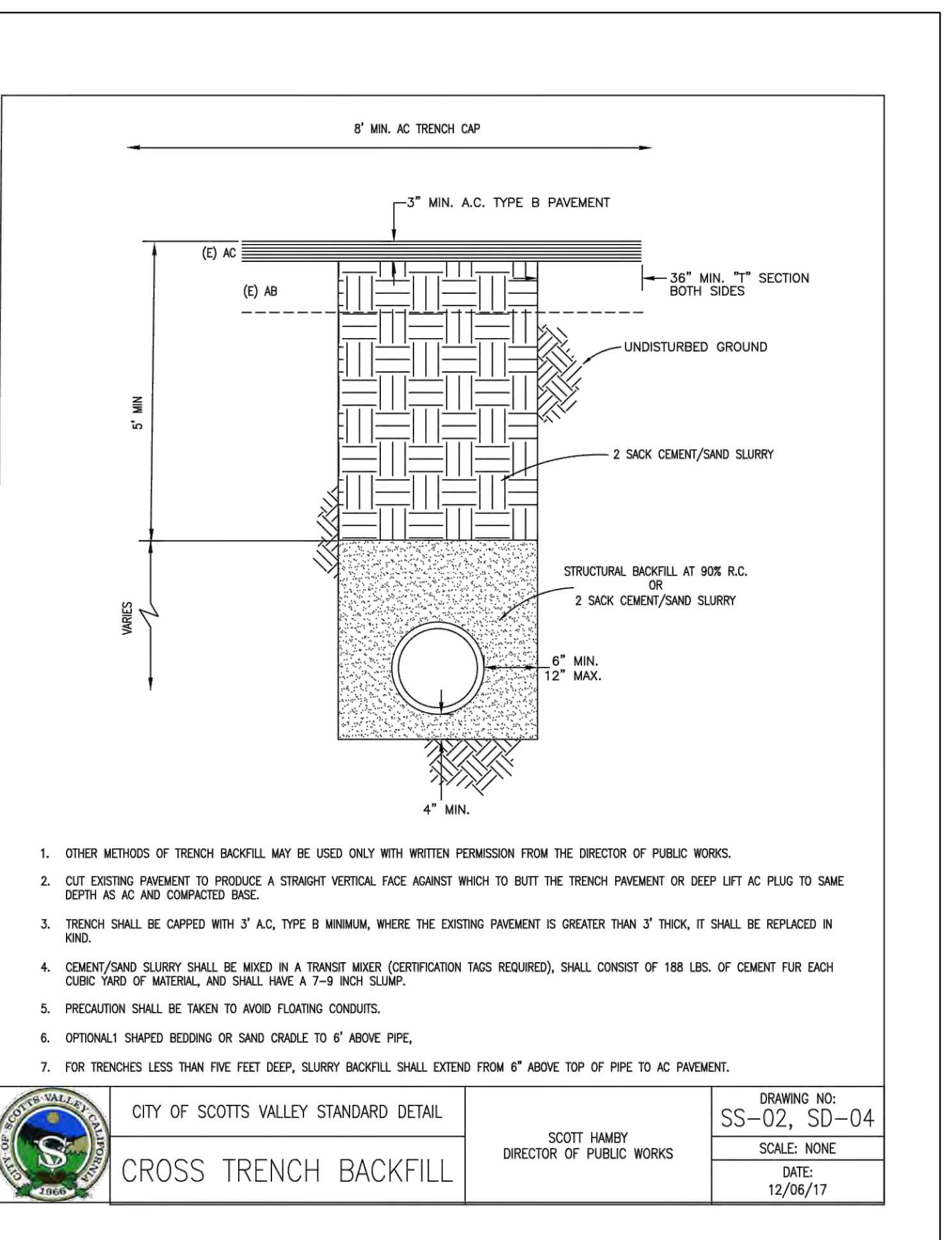
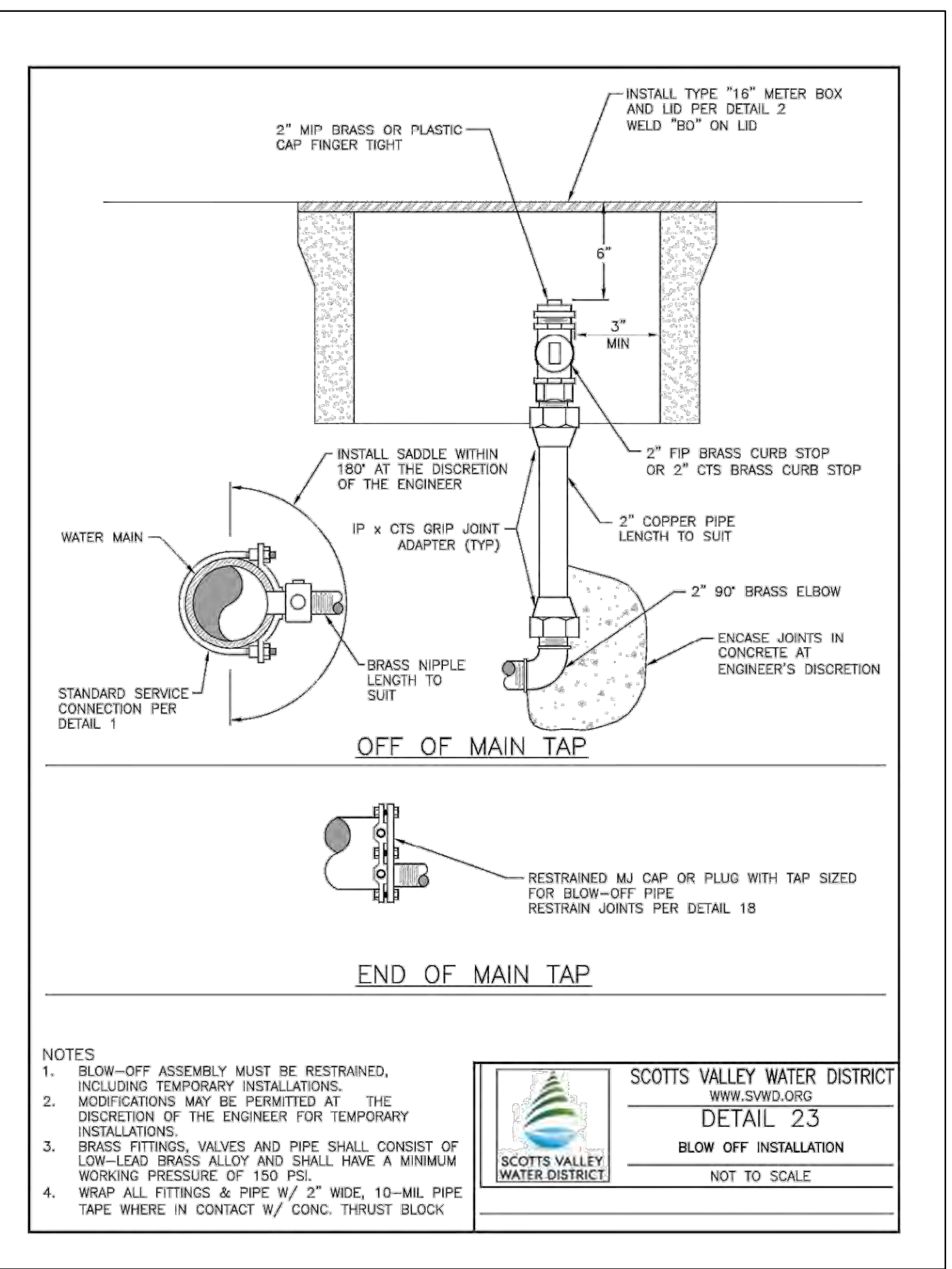
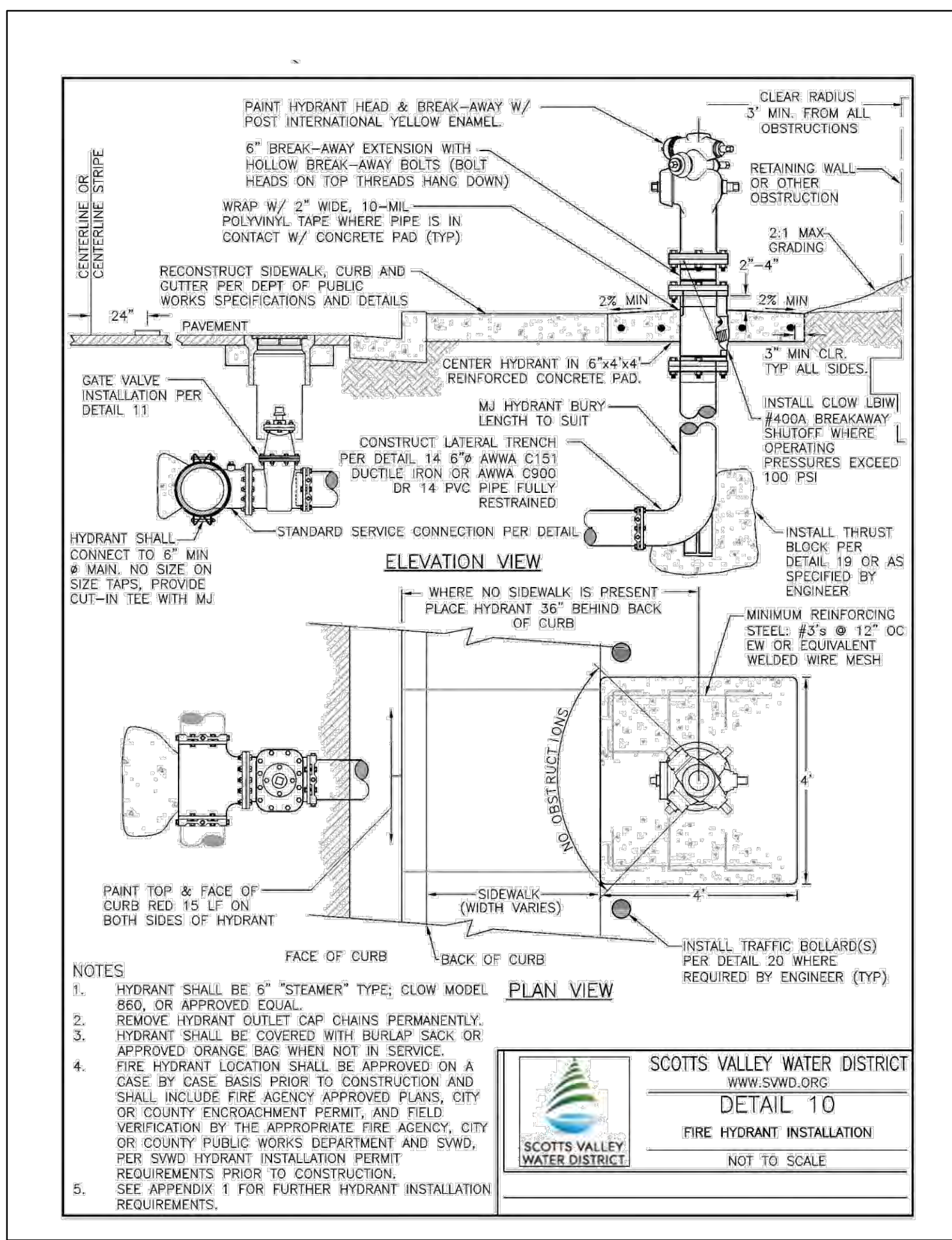
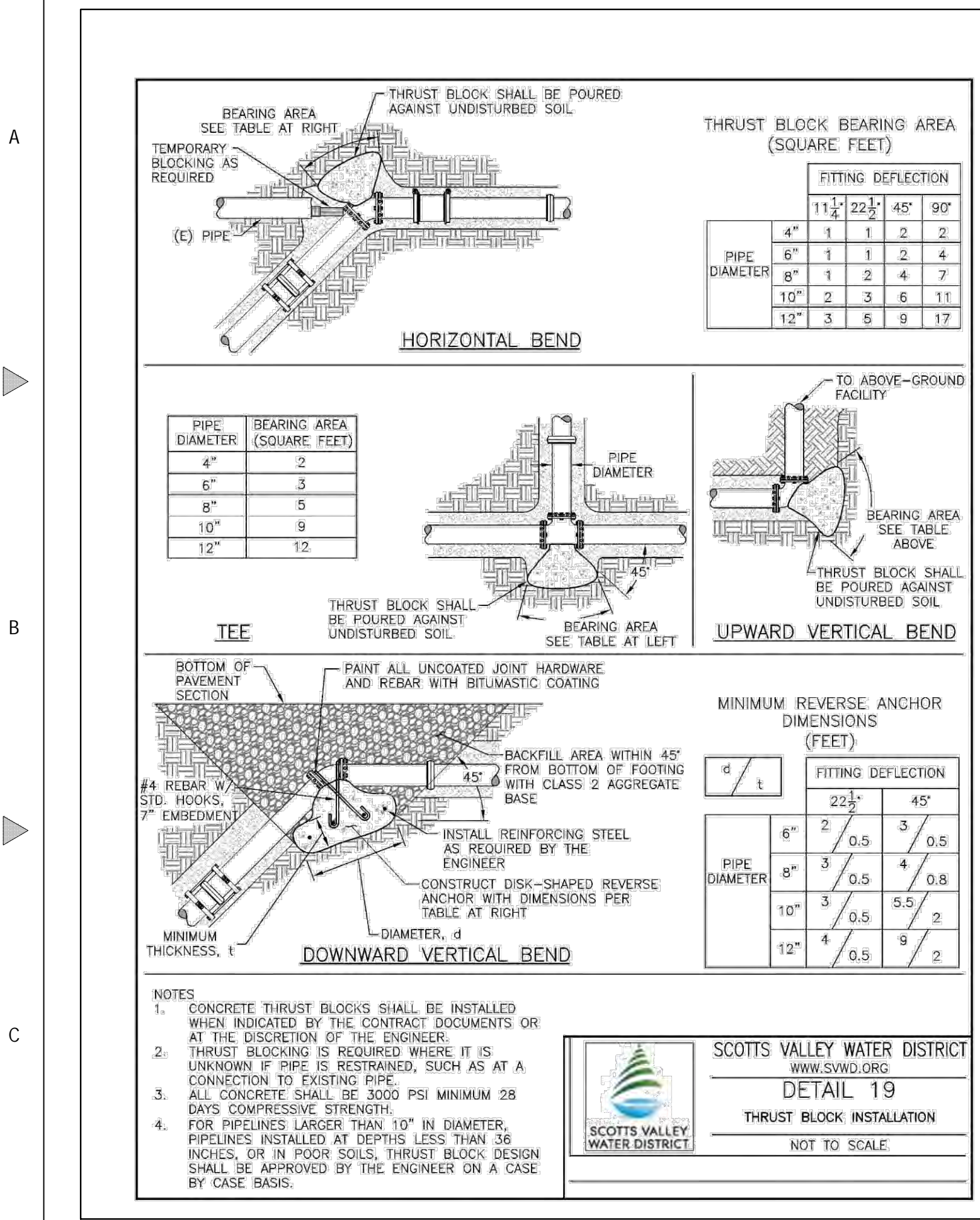
REGISTERED PROFESSIONAL ENGINEER
TOM R. CRAMER
No. C 64561
Exp. 6/30/25
CIVIL
STATE OF CALIFORNIA

SCOTS VALLEY WATER DISTRICT
www.svwd.org

C2G / CIVIL CONSULTANTS GROUP, INC.
Engineers/Planners
4444 Scots Valley Drive / Suite 6
Scotts Valley, CA 95066
831.438.4420

SCOTS VALLEY WATER DISTRICT
BELAIR COURT
WATER MAIN IMPROVEMENTS

Date: 09.29.2023
Scale:
Drawn: JB/IH/TC
Job: 165.95
Sheet:
C3.1
Of 3 Sheets



REVISIONS

NO.	DESCRIPTION	DATE

DETAILS

REGISTERED PROFESSIONAL ENGINEER
TOM R. CRAMER
No. C 64561
Exp. 6/30/25
CIVIL
STATE OF CALIFORNIA

SCOTT'S VALLEY WATER DISTRICT
C2G / CIVIL CONSULTANTS GROUP, INC.
Engineers/Planners
4444 Scotts Valley Drive / Suite 6
Scotts Valley, CA 95066
831.438.4420

SCOTT'S VALLEY WATER DISTRICT
BELAIR COURT
WATER MAIN IMPROVEMENTS

Date: 09.29.2023
Scale:
Drawn: JB/IH/TC
Job: 165.95
Sheet:
C3.1
Of 3 Sheets